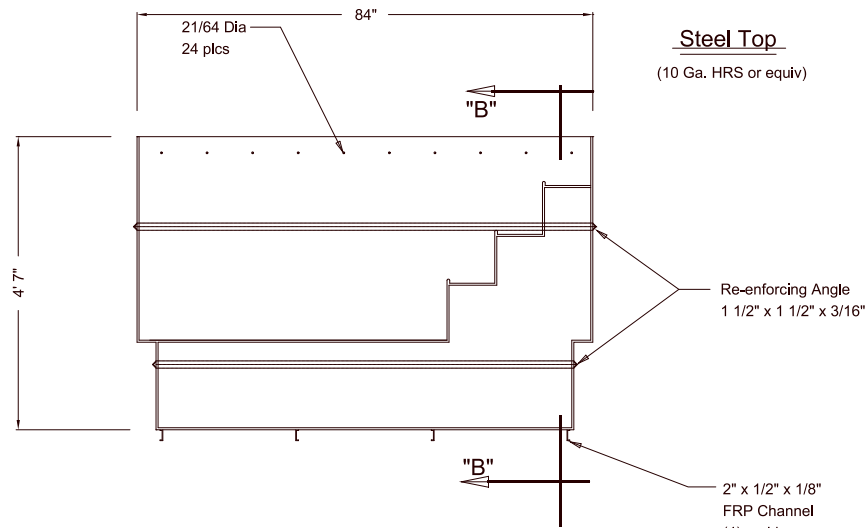


Section "B-B"



Section "A-A"

FRP Re-enforced, Composite Shelter Body

Wall thickness: 1/4"
 Radius Thickness: 3/8"
 Floor Thickness: 3/8"

Steel Top
 (10 Ga. HRS or equiv)

Note:
 1) Assemble with (24) 5/16-18-NC Hex Head Bolts, Zinc Plated w/ Flat Washers and Hex Nut

SEQUOYAH ENGINEERING, INC.
 7115 N. Bryant Avenue OKC, OK 73121 - (405) 475-9991
 Certificate of Authorization # 2393 PE Expires 06/30/09

REVISION	DESCRIPTION	BY	DATE		

JOB NAME: Flat Safe	DATE: 03/04/09
FRP Re-enforced Composite Shelter	SCALE: NTS
DESCRIPTION: Body, Details	DRAWN BY: JV
	SHEET: 2 of 2